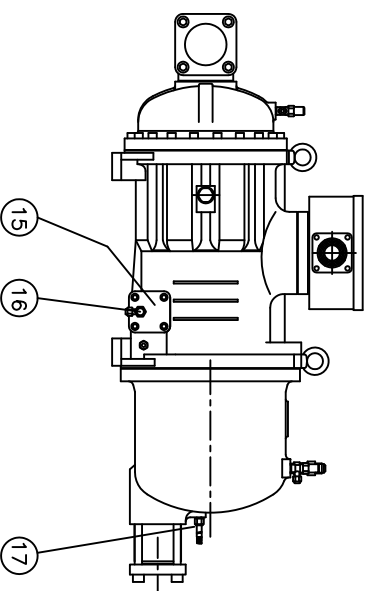
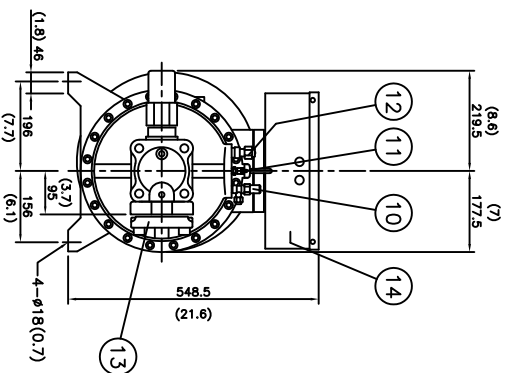
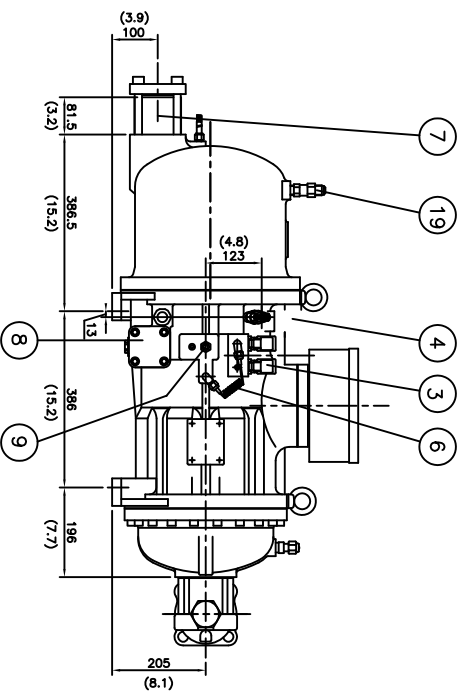
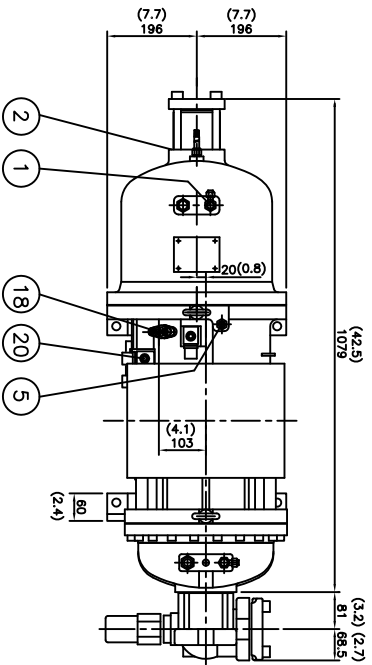


| No. | Name | Note | No. | Name | Note |
|-----|--|-------------------|-----|---------------------------|----------------------------|
| 1 | Angle valve | 1/4"Flare | 11 | Refrigerant Service valve | 1/4"Flare |
| 2 | Discharge flange | 2" | 12 | NOT USED | 5/8"Flare, option |
| 3 | Solenoid valve | 33%(NC) | 13 | Suction flange | 2 1/2" |
| 4 | Solenoid valve | 66%(NC) | 14 | Cable box | Standard |
| 5 | Liquid(oil or refrigerant) injection connector | 3/8"Flare, option | 15 | Service flange | |
| 6 | Capillary | | 16 | Oil drain valve | option |
| 7 | Check valve | 2" | 17 | Discharge temp. sensor | 110°C |
| 8 | Service flange | | 18 | Economizer connector | 5/8", solder |
| 9 | Oil inlet Connector | 3/8"Flare | 19 | Safety Valve | |
| 10 | Angle valve | 1/4"Flare | 20 | Solenoid valve | Stepless(NC or NO), option |

*All stop valves are optional.



Dimensional Outline Drawing & Component Description
for Stepless or Modulating-Type Capacity Control Application

Hanbell Model RC2-180BF
Date and Rev. 08/17/2012 A
Drawn By M. Schreiber



Micro Control Systems, Inc.

5580 Enterprise Parkway
Fort Myers, Florida 33905
Tel. (239) 694-0089 Fax (239) 694-0031
E-mail: compressors@mcscontrols.com

Hanbell Precise Machinery Co., Ltd.



HANBELL